



T-SLOT WORK SUPPORTS

Overview

You won't find these capabilities combined into one product anywhere else! Check out the Invert-A-Bolt™ (IVB) T-Slot Work Support. It's a unique assembly that holds AND locates simultaneously. By incorporating the advantages of the IVB fastener with the added benefit of precision locating capabilities, these T-Slot Work Supports are ideal for stock prep or fixture prep where it is desirable to machine the top and all the sides of the plate in one operation. These supports are perfect for prepping aluminum plates which cannot be held by magnetic force or for making your own Invert-A-Bolt™ modular fixture. These supports employ a universal nut that allows the user to interchangeably use 3/8", 1/2" or 5/8" t-slot bolts by switching out the nut. To order a complete assembly, select the desired support, fastener, and universal nut. The T-Slot Work Support can also be moved to a location that is not directly over a t-slot by use of the extension.



Applications

Stock prep or fixture prep

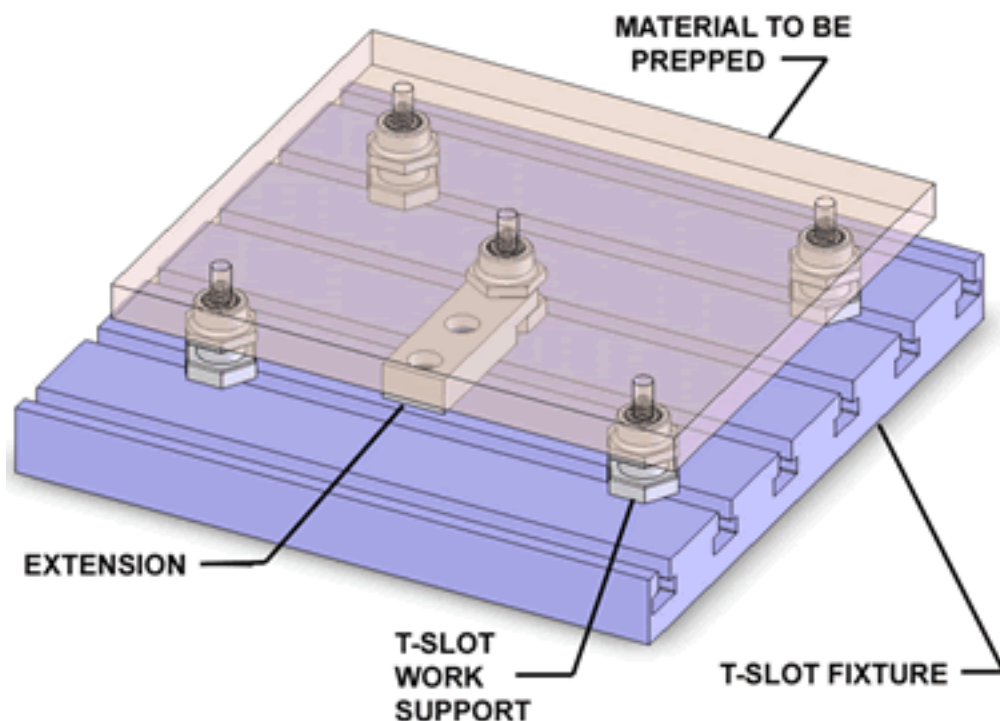
General Specifications

T-Slot Supports and Extensions:



Material: 115,000 PSI Steel with Black Oxide Finish

Other internal components:

Material: Alloy Steel



T-SLOT WORK SUPPORTS

	Part Number	Description
	ELT-S2-1.75x2-002	2.000" Overall height T-Slot Work Support will accommodate AA02 type fasteners. 115,000 PSI Steel with Black Oxide Finish.
	ELT-S2-1.75x4-002	4.000" Overall height T-Slot Work Support will accommodate AA02 type fasteners. 115,000 PSI Steel with Black Oxide Finish.
	ELT-N-375-16-001	3/8"-16 Universal Nut
	ELT-N-500-13-001	1/2"-13 Universal Nut
	ELT-N-625-11-001	5/8"-11 Universal Nut
	ELT-E-1.75x4-002	4.000" Overall Length T-Slot Work Support Extension. 115,000 PSI Steel with Black Oxide Finish.
	ELT-E-1.75x6-002	6.000" Overall Length T-Slot Work Support Extension. 115,000 PSI Steel with Black Oxide Finish.

